

Line Voltage Thermostats

Two Stage Heating

Tempro’s Two-Stage Line Voltage Thermostats for heating are built to precisely regulate temperatures in commercial, industrial and ag heating systems. Designed for durability, these thermostats are housed in sturdy steel or stainless-steel NEMA 1 rated enclosures, or NEMA 4X rated enclosures, providing protection from dust, light exposure, minor splashing and wash down environments. They are well-suited for standard indoor or outdoor applications.

Figure 7 to the right illustrates typical wiring for SPDT/SPDT units for control of two heating stages. As the ambient temperature decreases to the knob setting, the high temperature switch will make Red-Brown wire or Blue dot, Yellow dot contact, turning on the first state of heating. If the temperature continues to drop (about 3°F) the low temperature switch will make Red-Blue contact, turning on the second stage of heating.

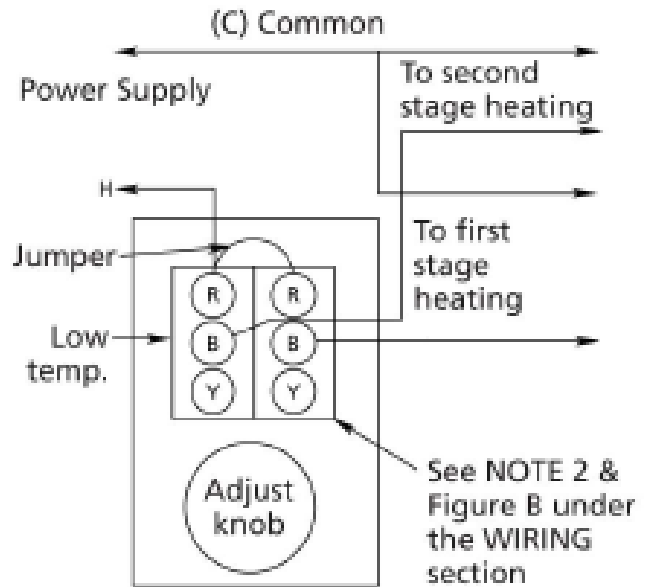


Figure 7 – Two-stage SPDT/SPDT Thermostats in Control of a Two-stage Heating System

	Two Stage Line Voltage Thermostats			
	TP501	TP512	TP520	TP520B
Basic Construction	Steel Housing	Stainless Housing	Polymeric Housing	Polymeric Housing
Function	Heat & Cool	Heat & Cool	Heat & Cool	Ventilation Control
Switch Type	2 Stage SPDT/SPDT	2 Stage SPDT/SPDT	2 Stage SPDT/SPDT	2 Stage SPDT/SPDT
Temperature Range	30 to 110°F	30 to 110°F	30 to 110°F	30 to 110°F
Features	NEMA 1	NEMA 1	NEMA 4X	NEMA 4X
Nickel Plated Sensing Element	✓	✓	✓	✓
UL/cUL Listed	✓	✓	✓	✓
Additional Features				24" Remote Bulb Sensor