

Line Voltage Thermostats

Heating

Tempo’s Single Stage Line Voltage Thermostats for Heating are engineered to deliver precise temperature control in commercial , agricultural and industrial heating systems. Built with robust steel or stainless-steel NEMA 1 rated or NEMA 4X rated enclosures, they protect against dust, light exposure, minor splashing, and wash down environments Therefore, these thermostats are ideal for indoor or outdoor use in demanding environments.

As shown in Figure 1 on the right, when installing a line voltage thermostat for a heating application, the user should wire the power supply to the (R) Red Terminal, and heating unit wire to the (B) Blue Terminal. This will allow the thermostat contacts to open on temperature rise, shutting off the heater. A decrease in temperature then (about 3°F) will allow the contacts to close again, turning on the heater.

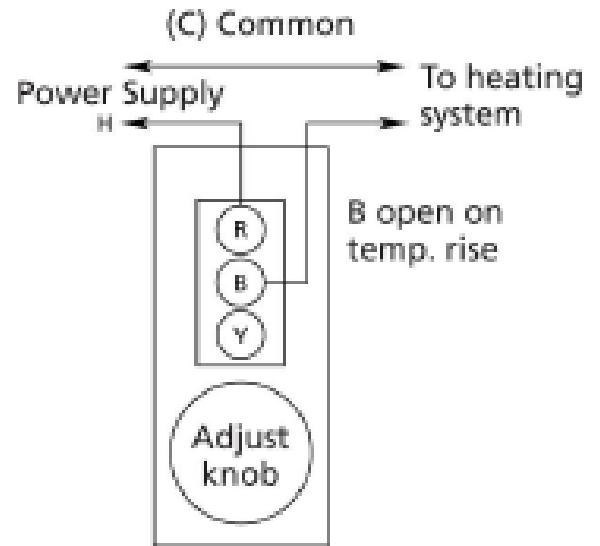


Figure 1 – Connection for a Typical Heating Control Circuit

Tempo	Line Voltage Thermostats for Heating			
	TP507	TP515	TP518	TP518C
Basic Construction	Steel Housing	Stainless Housing	Polymeric Housing	Polymeric Housing
Function	Heat Only	Heat Only	Heat & Cool	Heat & Cool
Switch Type	Single Stg SPST	Single Stg SPST	Single Stg SPDT	Single Stg SPDT
Temperature Range	35 to 95°F	35 to 95°F	30 to 110°F	30 to 110°F
Features	NEMA 1	NEMA 1	NEMA 4X	NEMA 4X
Nickel Plated Sensing Element	✓	✓	✓	✓
UL/cUL Listed	✓	✓	✓	✓
Additional Features	6' Piggyback Plug	6' Piggyback Plug		6' Piggyback Plug

