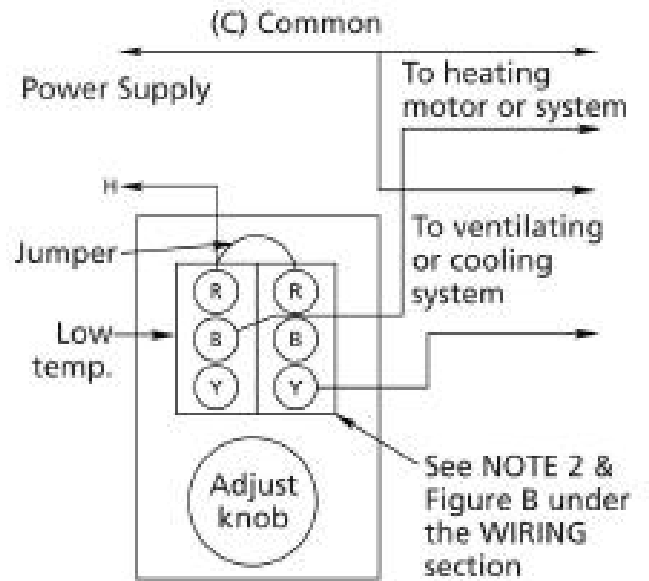


# Line Voltage Thermostats

## Two Stage Heating & Cooling

Tempro's two stage line voltage thermostats are designed to efficiently manage heating and cooling systems in industrial, commercial, and agricultural settings. These thermostats are ideal for HVAC, refrigeration, cooling and other settings that demand reliable temperature control. These thermostats feature a durable NEMA 1 enclosure made from steel or stainless steel, or NEMA 4X rated enclosure providing reliable protection against dust, light exposure, minor moisture or wash down environments.

Two stage units can control a combination heating and ventilating or cooling system, as shown in Figure 6 to the right. A temperature increase to the knob setting will turn off the heating system when the Red-Blue contacts of the low temperature switch break. An increase in temperature of about 3°F will turn on the fan or cooling system through the Red-Black wire of Red dot, Yellow dot contacts of the high temperature switch.



**Figure 6 - Two-stage SPDT/SPDT Thermostats with Automatic Changeover in Control of Heating and Cooling Systems**



	Two Stage Line Voltage Thermostats			
	TP501	TP512	TP520	TP520B
<b>Basic Construction</b>	Steel Housing	Stainless Housing	Polymeric Housing	Polymeric Housing
<b>Function</b>	Heat & Cool	Heat & Cool	Heat & Cool	Ventilation Control
<b>Switch Type</b>	2 Stage SPDT/SPDT	2 Stage SPDT/SPDT	2 Stage SPDT/SPDT	2 Stage SPDT/SPDT
<b>Temperature Range</b>	30 to 110°F	30 to 110°F	30 to 110°F	30 to 110°F
<b>Features</b>	NEMA 1	NEMA 1	NEMA 4X	NEMA 4X
<b>Nickel Plated Sensing Element</b>	✓	✓	✓	✓
<b>UL/cUL Listed</b>	✓	✓	✓	✓
<b>Additional Features</b>				24" Remote Bulb Sensor