

Line Voltage Thermostats

Two Stage Ventilation Control

Tempro’s two stage line voltage thermostats for ventilation control are engineered to deliver precise temperature regulation in commercial, agricultural and industrial settings. Specifically designed for ventilation control applications, these thermostats feature robust steel or stainless-steel NEMA 1 or 4X rated enclosures. As a result they offer reliable protection from dust, light exposure, indirect splashing and wash down environments making them ideal for basic indoor or outdoor environments.

Figure 5 to the right shows how to wire two stage line voltage thermostats for ventilation control. When the thermostat senses the temperature increase it activates a single-speed ventilating fan. If temperature continues to increase the second switch actuates the damper motor or a second fan motor.

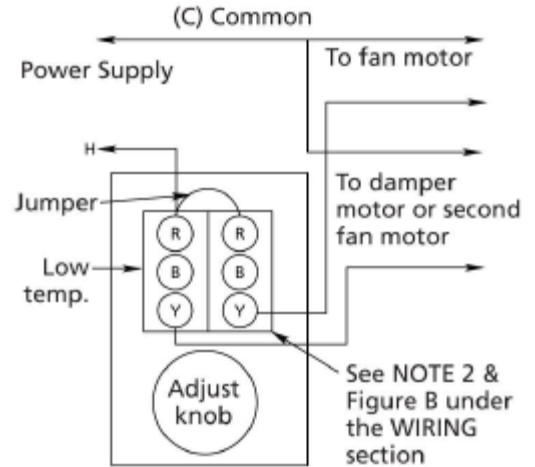


Figure 5 – Two-stage SPDT/SPDT Thermostats in Control of a Single-speed Ventilating Fan and Volume Increase Damper Motor

Tempro	Two Stage Line Voltage Thermostats			
	TP501	TP512	TP520	TP520B
Basic Construction	Steel Housing	Stainless Housing	Polymeric Housing	Polymeric Housing
Function	Heat & Cool	Heat & Cool	Heat & Cool	Ventilation Control
Switch Type	2 Stage SPDT/SPDT	2 Stage SPDT/SPDT	2 Stage SPDT/SPDT	2 Stage SPDT/SPDT
Temperature Range	30 to 110°F	30 to 110°F	30 to 110°F	30 to 110°F
Features	NEMA 1	NEMA 1	NEMA 4X	NEMA 4X
Nickel Plated Sensing Element	✓	✓	✓	✓
UL/cUL Listed	✓	✓	✓	✓
Additional Features				24" Remote Bulb Sensor

