

NEMA 1 Thermostats

Two Speed Fan

Tempro's NEMA 1 thermostats are designed to accurately regulate precise temperature in heating, cooling and refrigeration applications in commercial and industrial settings. Made with durable steel or stainless-steel, NEMA 1 rated enclosures, the thermostat is protected against dust, light and indirect splashing, making it great for basic indoor applications.

Figure 5 to the right shows a typical SPDT/SPDT connection for a two-speed fan application. The damper motor will be energized when the temperature reaches the knob setting. If the temperature continues to rise (about 3°F), the fan motor will be energized by the high temperature switch.

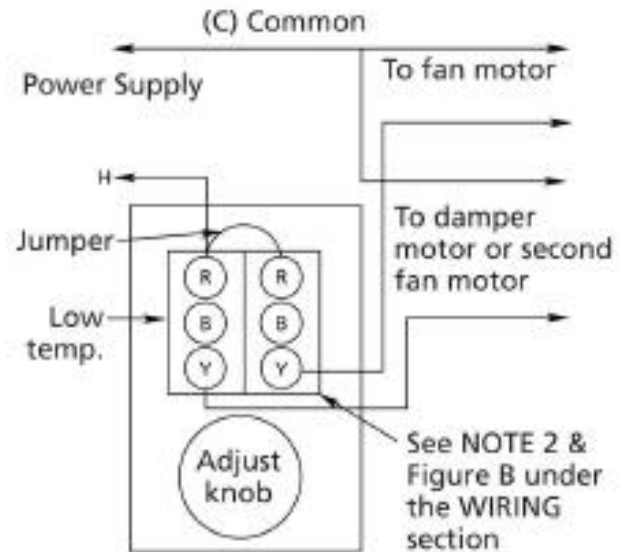


Figure 5 – Two-stage SPDT/SPDT Thermostats in Control of a Single-speed Ventilating Fan and Volume Increase Damper Motor



Product Specifications

- Broad temperature ranges from -30°F to 110°F, with a +/- 2°F fixed differential (*adjustable differential available*).
- 6-foot cord, fixed bulb and remote bulb sensor options.
 - Single and two stage models available.
 - Private labeling available.