

## NEMA 1 Thermostats

### Heating & Cooling

Tempo's NEMA 1 thermostats are designed to accurately regulate precise temperature in heating, cooling and refrigeration applications in commercial and industrial settings. Made with durable steel or stainless-steel, NEMA 1 rated enclosures, the thermostat is protected against dust, light and indirect splashing, making it great for basic indoor applications.

As shown in Figure 3 on the right, when installing a NEMA 1 thermostat for a SPDT heating and cooling application, user should wire the power supply to the (R) Red Terminal, heating unit wire to the (B) Blue Terminal, and cooling or ventilation unit wire to the (Y) Yellow Terminal.

Decrease of 3°F will trigger heating contact (B) to close on rise and cooling contact (Y) to open on rise, turning the cooling system off and the heating system on. Increase of 3°F will trigger heating contact (B) to open on rise and cooling contact (Y) to close on rise, turning the cooling system on and the heating system off.

NEMA 1 models include TP500 (*fixed bulb*), TP501 (*fixed bulb*), TP502 (*fixed bulb*), TP504 (*96" remote bulb*), TP505 (*60" remote bulb*), TP507 (*6' piggyback cord*), TP510 (*fixed bulb*), TP511 (*fixed bulb*), TP512 (*fixed bulb*), TP513 (*96" remote bulb*), TP514 (*60" remote bulb*), TP515 (*6' piggyback cord*), and TP516 (*96" remote bulb & adjustable differential of 3°F to 12°F*).

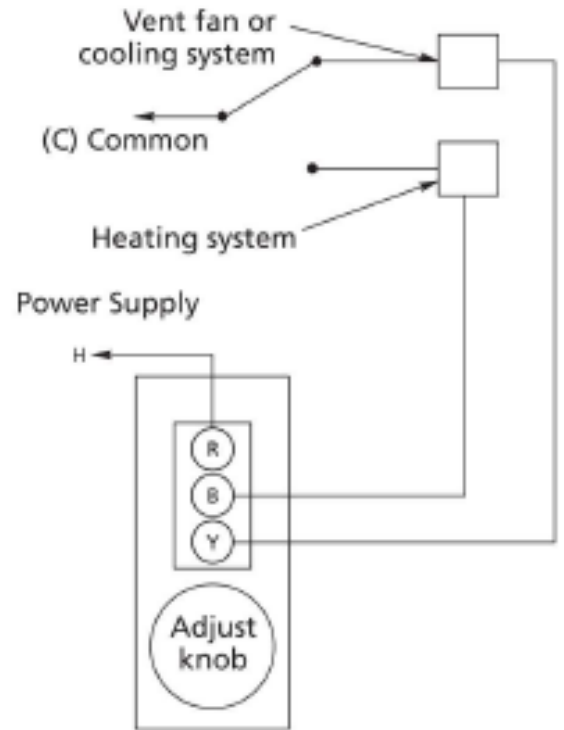


Figure 3 – SPDT Thermostats in Control of Heating and Ventilation Systems



### Product Specifications

- Broad temperature ranges from -30°F to 110°F, with a +/- 2°F fixed differential (*adjustable differential available*).
- 6-foot cord, fixed bulb and remote bulb sensor options.
  - Single and two stage models available.
  - Private labeling available.